

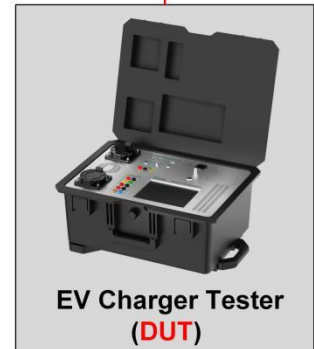
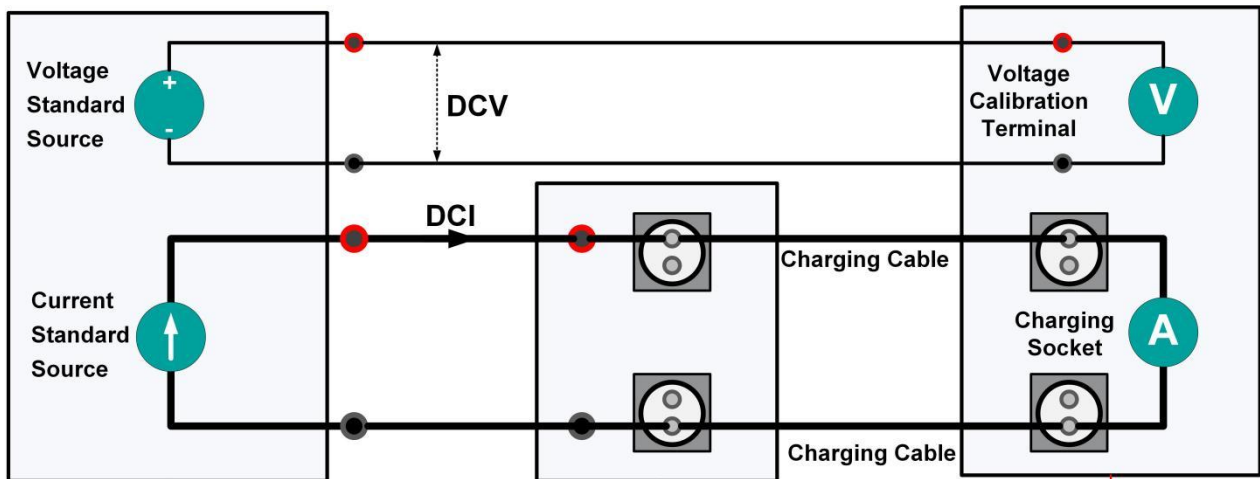
TK4960 DC Charging-Power Calibration Adapter



1. Summary

- TK4960 is an interface adapter equipped with two DC charging sockets that comply with the requirements of National Standard GB/T 20234.3-2015 "Connection set for conductive charging of electric vehicles".
- Suitable for metrology laboratories to use existing high precision DC standard power sources to calibrate non-vehicle DC charger testers, such as TUNKIA TD1320, TK4810 or similar equipment from other manufacturers.

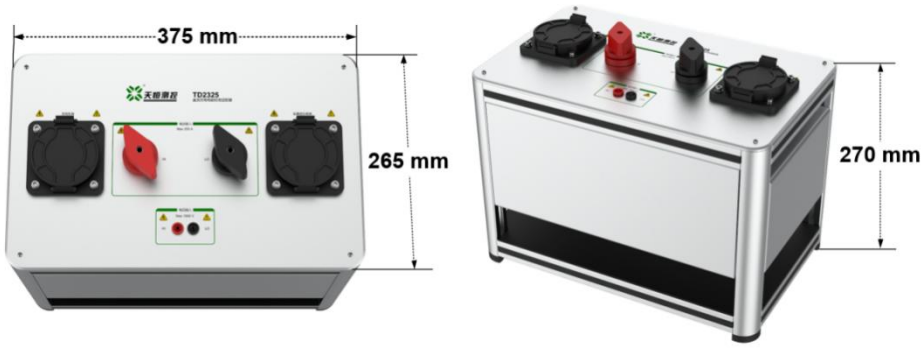
2.Application



3.Specifications

Working Current	Rated Working Current: 250 A
Insulation Resistance	500 MΩ @1000V DC(at room temperature)
Insulation Withstand Voltage	DC+、 DC- and PE > 2500V AC; DC+ and DC- > 2500V AC

4 General Specifications

Power Supply	—
Temperature Performance	Working Temperature: -30°C~50°C; Storage Temperature: -30°C~70°C
Humidity Performance	Operating Humidity: < 80% @ 30°C, < 70% @ 40°C, < 40% @ 50°C Storage Humidity: <80% R·H, non-condensing
Altitude	< 3000 m
Device Mass	About 10 kg
Size	375 mm (Width) × 265 mm (Depth) × 270 mm (Height)
	
Communication Interface	—